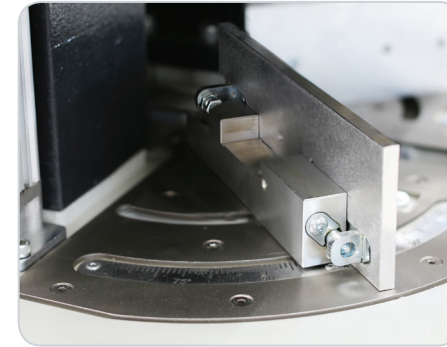


BA 2030

Single Head Welding Machine



- Practical mould change system.
- Stainless steel, long lasting plates.

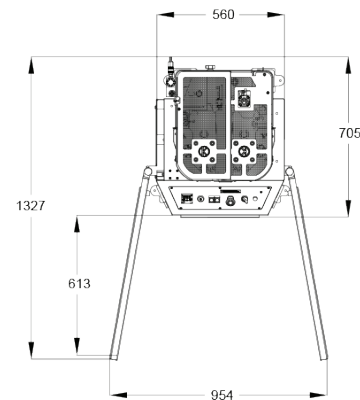
General Features

- Single corner welding of profiles between 30°-180°.
- Smooth welding of long profiles thanks to rotating support arms.
- All heat and time parameters are set independently.

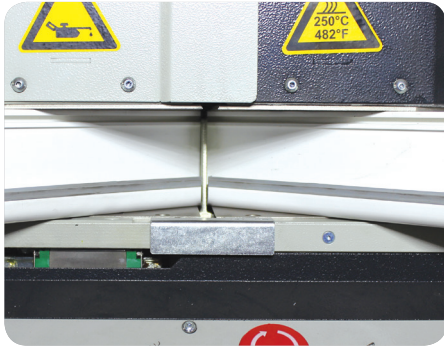
Optional Equipments



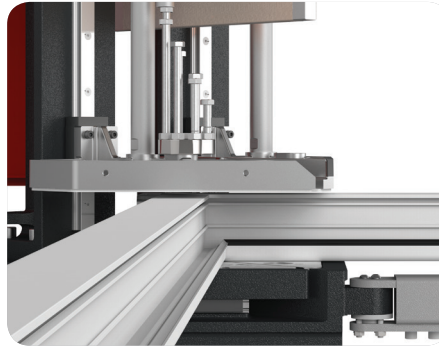
- Welding Moulds



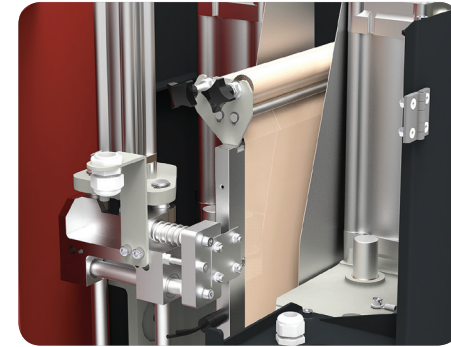
- The product has patented features.



- Digital setting of heating values.



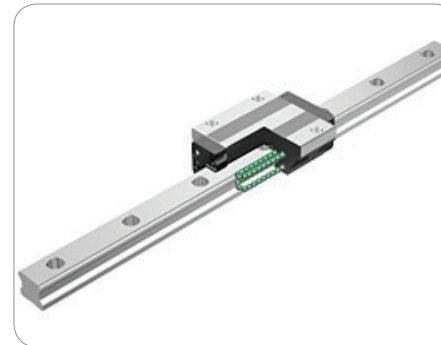
- Piston stroke is adjusted according to profile height through stoppers.
- Time saving while profile is clamped as the stopper is adjusted 3-5 mm higher than profile.



- Practical teflon change thanks to roller system.
- Stable heat distribution and long lasting heater plates distributes the heat homogenously.



- Standard zero (0,2mm) welding. It can be adjusted to normal welding.



- Continous precision of welding quality thanks to linear rails.

<p>H: 1660 mm W: 680-2300 mm L: 720-1320 mm</p>	<p>230 V L1-N-PE 50 / 60 Hz 2 KW</p>	<p>180 kg</p>	<p>A min: 340 mm</p>	<p>6-8 Bar 22 l / min</p>	<p>a max : 130 mm a min : 40 mm h max : 180 mm</p>
---------------------------------------------------------	--------------------------------------------------	---------------	----------------------	-------------------------------	------------------------------------------------------------