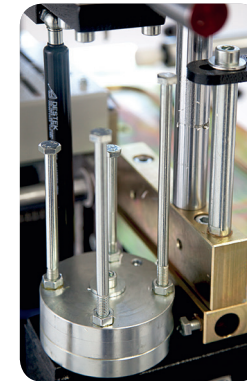
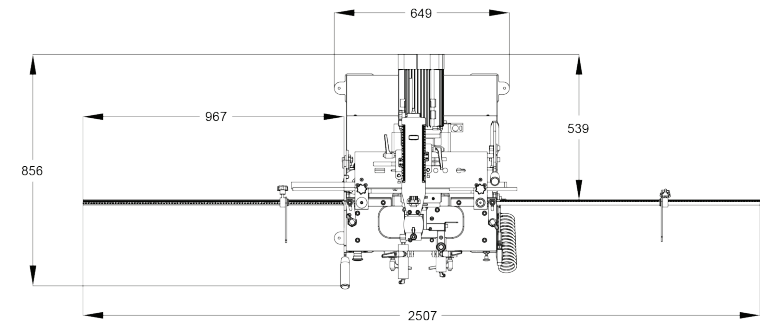


- Manual control with the guidedness of tracking tip.
- Copy routing with 1:1 ratio template.



- Practical height adjustment with support stoppers.



General Features

- Espagnolette canal, lock, cylinder and handle holes opening and triple drilling on Aluminium profiles.
- Copy router motor runs with a button easily.
- Practical setting with mechanical support plates.
- Canal opening without template thanks to support plates.

Optional Equipments



- MR 100 Centering Device

<p>H: 1720 mm W: 810-2510 mm L: 910 mm</p>	<p>400 V L1-L2-L3-N-PE 50 / 60 Hz 1.1 kW</p>	<p>157 kg</p>	<p>6-8 Bar 340 l / min</p>	<p>ØD: 11 mm x 2 ØD: 13 mm</p>	<p>ØD1: 5,2 mm ØD1: 8 mm ØD2: 8 mm 18.000 rpm ØD2</p>	<p>A: 105 mm B: 95 mm C: 260 mm</p>	<p>a [max: 120 mm h [min: 5 mm max: 100 mm</p>
--	--	---------------	--------------------------------	------------------------------------	---	---	--