

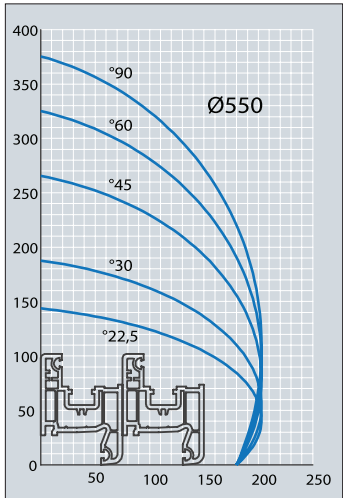
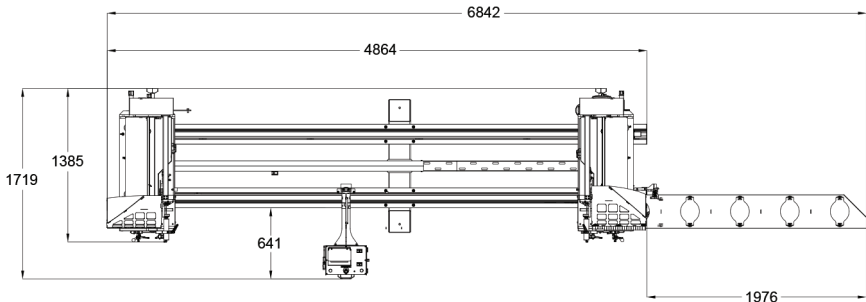
- Adjustable saw progress speed.
- Horizontal profile clamping and practical piston place adjustment system.

- Profile height and angles are inserted on screen to adjust the profile length.
- It has pneumatic fixing system.



**General Features**

- Precise cutting of PVC profiles between 22,5°-90° outer angles.
- Right feeding unit and automatic saw safety cover.
- Double clamping system on both heads to fix the profile.
- Support plate between two heads to support the profile.
- Special design vacuum system to cut without depositing sawdusts on heads.
- Frontal and top clamping systems.
- Manual length fixing system.
- Pin support system at 45° and 90° degrees, manual adjustment at intermediate degrees.



<p>H: 1570 mm W: 5020 mm L: 1650 mm</p>	<p>400 V L1-L2-L3-N-PE 50 / 60 Hz 4,4 kW</p>	<p>1100 kg</p>	<p>6-8 Bar 100 l / min</p>	<p>ØD: 550 mm</p>
---	--	----------------	--------------------------------	-------------------