

# MK 2010

## Four Head Welding Machine



### General Features

- 90° welding of four corners of PVC profiles.
- Tolerance system to minimize measuring faults.
- Automatic greasing system.

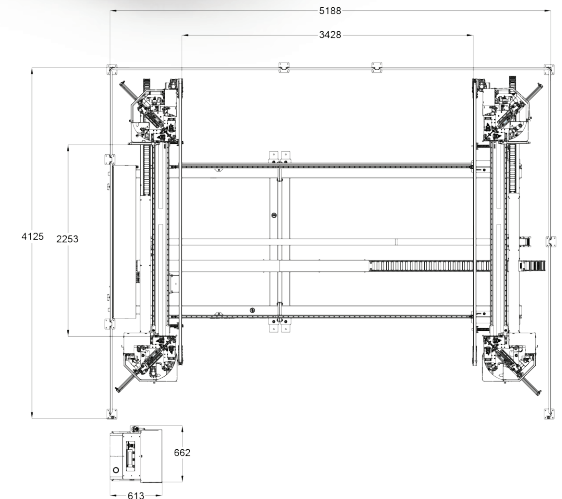
### Optional Equipments



- CB 200 Gasket Pressing  
X min:730 mm  
Y min:550 mm



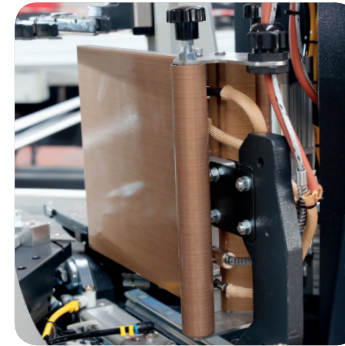
Welding Mould



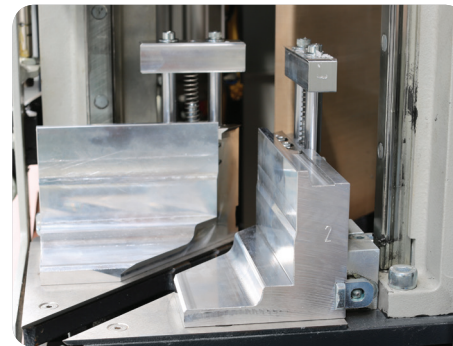
- The product has patented features.



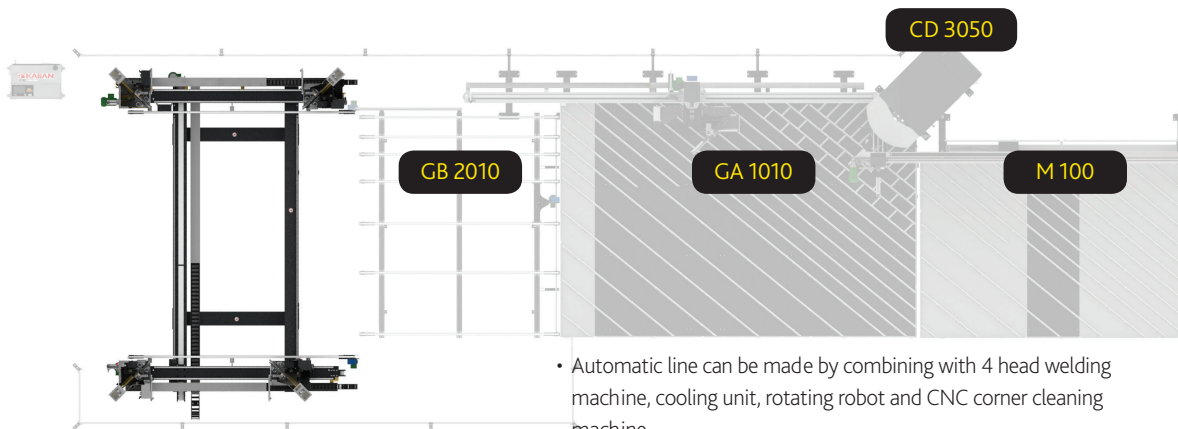
- User-friendly operating system compatible to all joinery and optimization programs.
- Parameters are set easily.
- Different profiles and hardwares can be configured and optimized.
- Periodical maintenance reminder function.
- Welding by inserting the dimensions manually without using barcode reader.
- Operation with Cf card.
- Barcode reader.
- Has ethernet connection.



- Practical teflon change thanks to roller system.



- Saving of time thanks to practical mould change system.
- Axis positioning 0,1mm sensitivity.
- Cutting and welding tolerances distributes equally to 4 corners.
- X and Y axis automatic positioning.



- Automatic line can be made by combining with 4 head welding machine, cooling unit, rotating robot and CNC corner cleaning machine.

<p>H: 1930 mm W: 5200 mm L: 4950 mm</p>	<p>400 V L1-L2-L3-N-PE 50 / 60 Hz 11 kW</p>	<p>1800 kg</p>	<p>A min: 490 mm A max: 3550 mm B min: 390 mm B max: 2510mm</p>	<p>6-8 Bar 64 l / min</p>	<p>a max : 130 mm a min : 40 mm h max : 210 mm</p>
---	---	----------------	---	-------------------------------	--